



HCC/HCF4000B-4001B
HCC/HCF4002B-4025B

NOR GATE

4000B-DUAL 3 INPUT PLUS INVERTER
4001B-QUAD 2 INPUT
4002B-DUAL 4 INPUT
4025B TRIPLE 3 INPUT

- PROPAGATION DELAY TIME = 60 ns (typ.) AT $C_L = 50$ pF, $V_{DD} = 10$ V
- BUFFERED INPUTS AND OUTPUTS
- STANDARDIZED SYMMETRICAL OUTPUT CHARACTERISTICS
- QUIESCENT CURRENT SPECIFIED TO 20 V FOR HCC DEVICE
- 5V, 10V AND 15V PARAMETRIC RATINGS
- INPUT CURRENT OF 100nA AT 18V AND 25 °C FOR HCC DEVICE
- 100% TESTED FOR QUIESCENT CURRENT
- MEETS ALL REQUIREMENTS OF JEDEC TENTATIVE STANDARD N. 13A, "STANDARD SPECIFICATIONS FOR DESCRIPTION OF B SERIES CMOS DEVICES"

DESCRIPTION

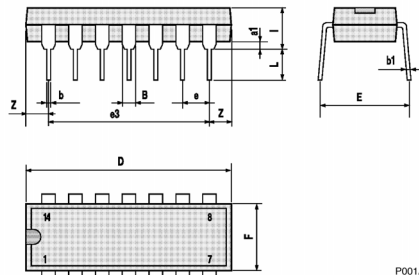
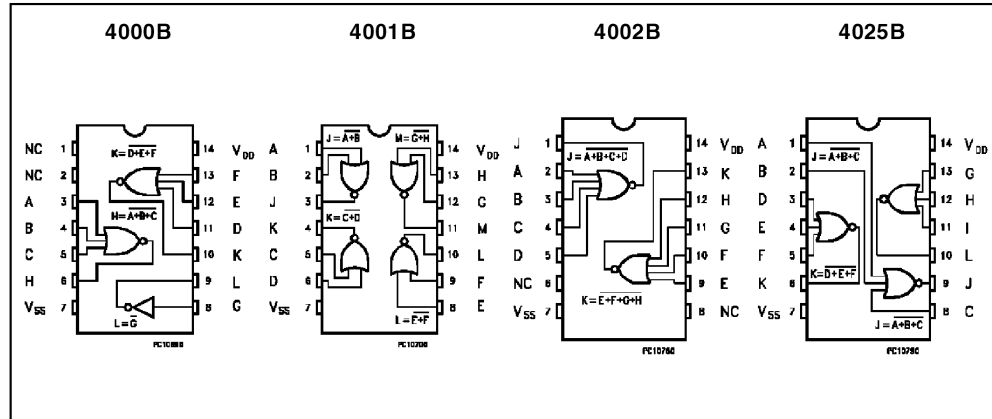
The **HCC4000B**, **HCC4001B**, **HCC4002B** and **HCC4025B** (extended temperature range) and **HCF4000B**, **HCF4001B**, **HCF4002B** and **HCF4025B** (intermediate temperature range) are monolithic integrated circuit, available in 14-lead dual in line plastic or ceramic package and plastic

micropackage.

The **HCC/HCF4000B**, **HCC/HCF4001B**, **HCC/HCF4002B** and **HCC/HCF4025B** nor gate provide the system designer with direct implementation of the nor function and supplement the existing family of COS/MOS gates. All inputs and outputs are buffered.

ORDER CODES :
 HCCXXXXBF HCFXXXXBM1
 HCFXXXXBEY HCFXXXXBC1

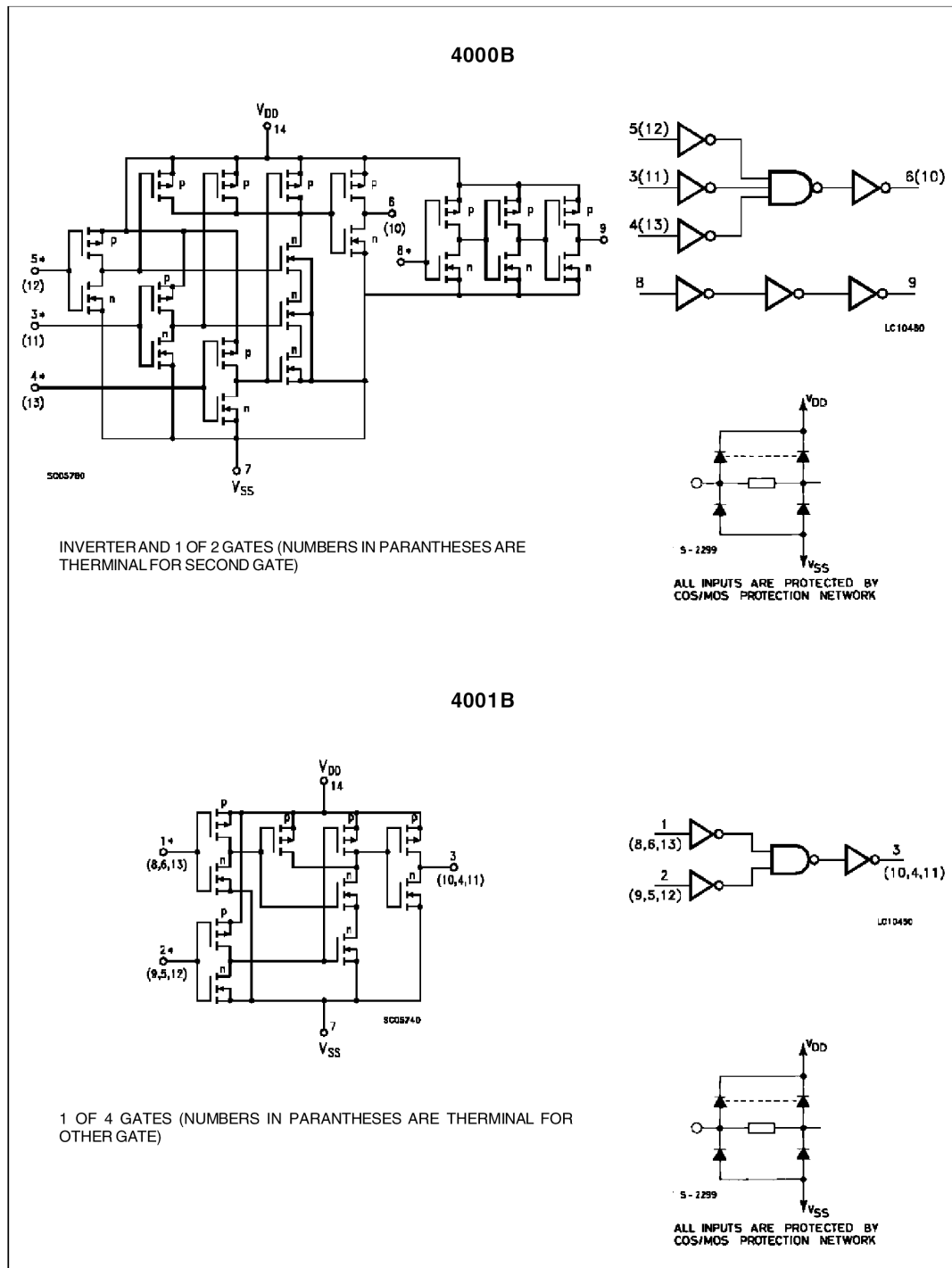
PIN CONNECTIONS



P001A

HCC/HCF4000B-4001B-4002B-4025B

SCHMATIC AND LOGIC DIAGRAMS



HCC/HCF4000B-4001B-4002B-4025B

SCHEMATIC AND LOGIC DIAGRAMS (continued)

